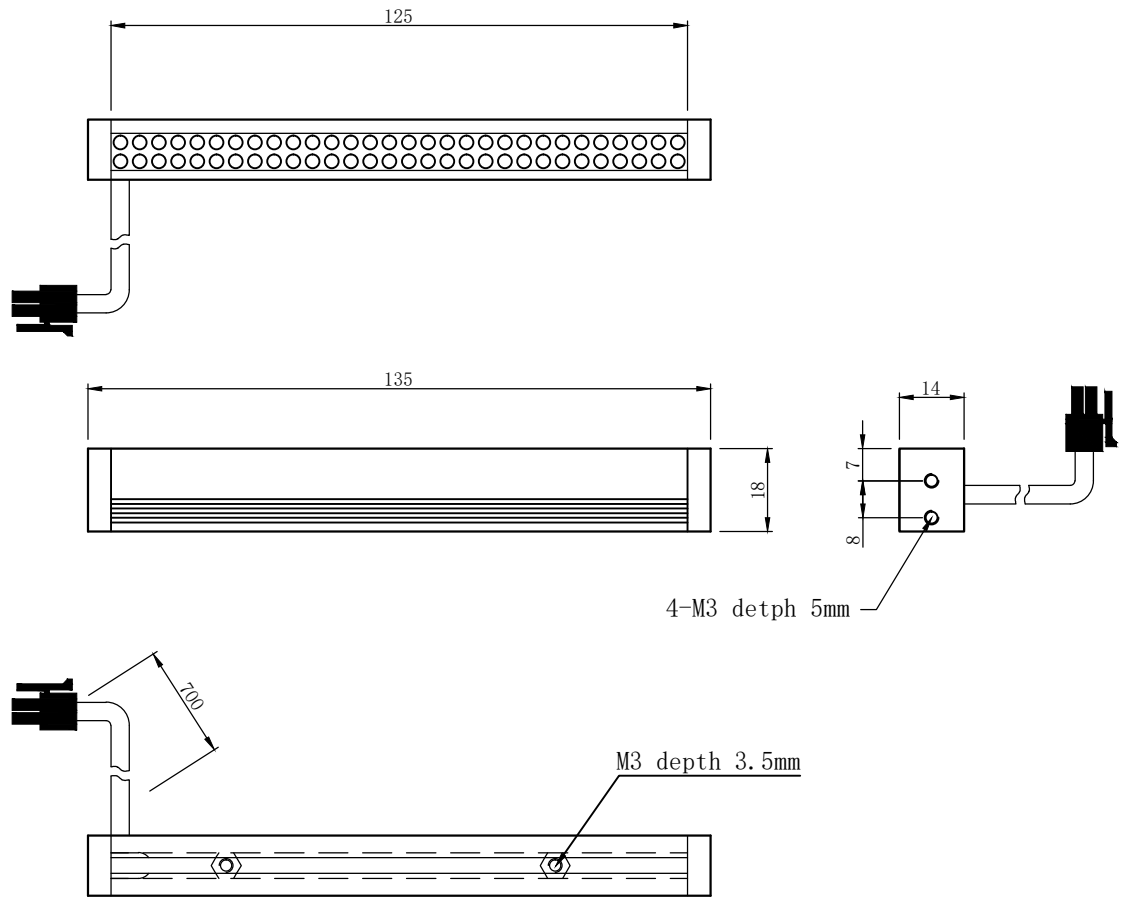


1 2 3 4 5 6 7

D
C
B
A

D
C
B
A



| SPECIFICATIONS PARAMETER | |
|--------------------------|-------------|
| OPERATING VOLTAGE | DC24-26V |
| RATED CURRENT | 80 |
| RATED POWER | 1.92W |
| PEAK CURRENT | 160mA |
| PEAK POWER | 3.84W |
| WAVELENGTH OF LIGHT | R 620-625nm |
| | |
| | |
| | |



| | | | | |
|-----------|-------------|----------------|----------|-----------|
| PART NAME | HL-LS-125-R | | DATE | 2016-1-18 |
| UNIT: mm | TITLE | DRAWING LAYOUT | DWN. BY | |
| | | | CHKD. BY | |
| | | | APPD. BY | |
| | | | DWG. NO | |

1 2 3 4 5 6 7