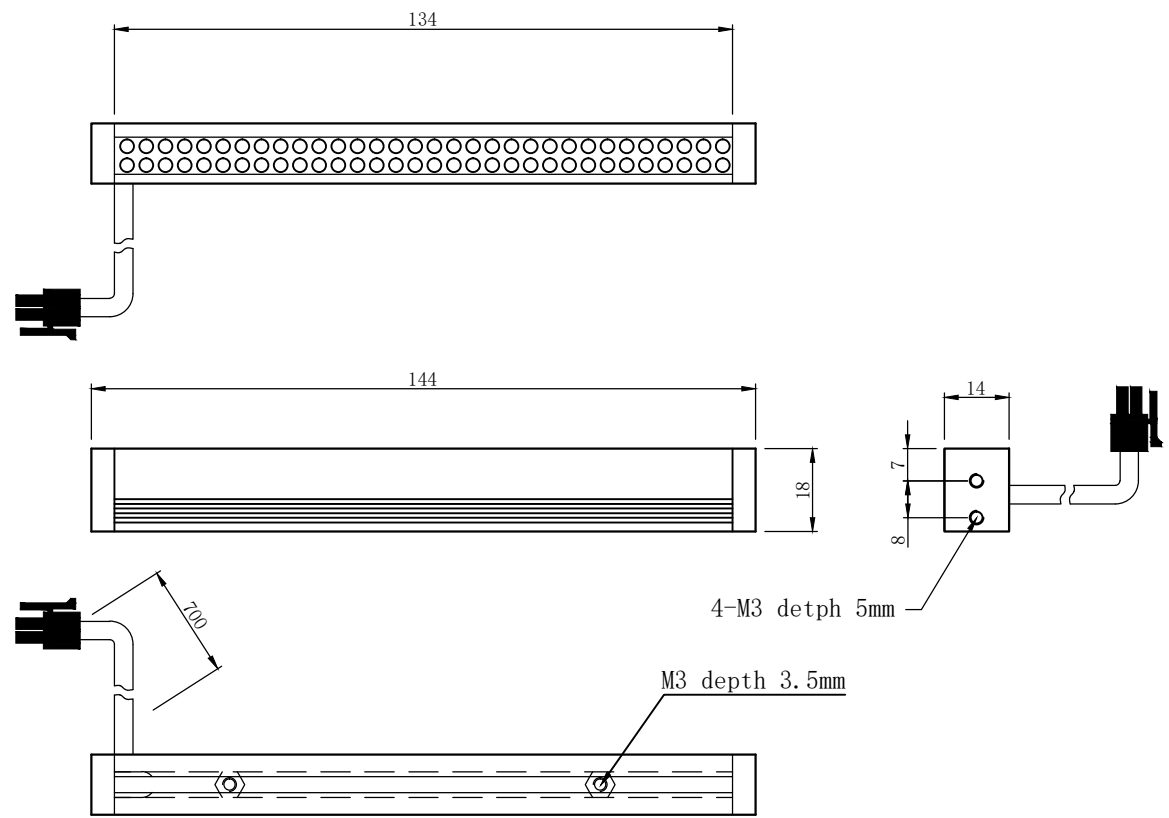


1 2 3 4 5 6 7

D  
C  
B  
A

D  
C  
B  
A



SPECIFICATIONS PARAMETER	
OPERATING VOLTAGE	DC24-26V
RATED CURRENT	IR / W. G. B 80/120mA
RATED POWER	IR / W. G. B 1.92/2.88W
PEAK CURRENT	IR / W. G. B 160/240mA
PEAK POWER	IR / W. G. B 3.84/5.76W
WAVELENGTH OF LIGHT	IR 850-940nm
	G 520-530nm
	B 465-470nm
	W 6500-8000K



PART NAME	HL-LS-134		DATE	2016-1-18
UNIT: mm	TITLE	DRAWING LAYOUT	DWN. BY	
			CHKD. BY	
			APPD. BY	
			DWG. NO	

1 2 3 4 5 6 7