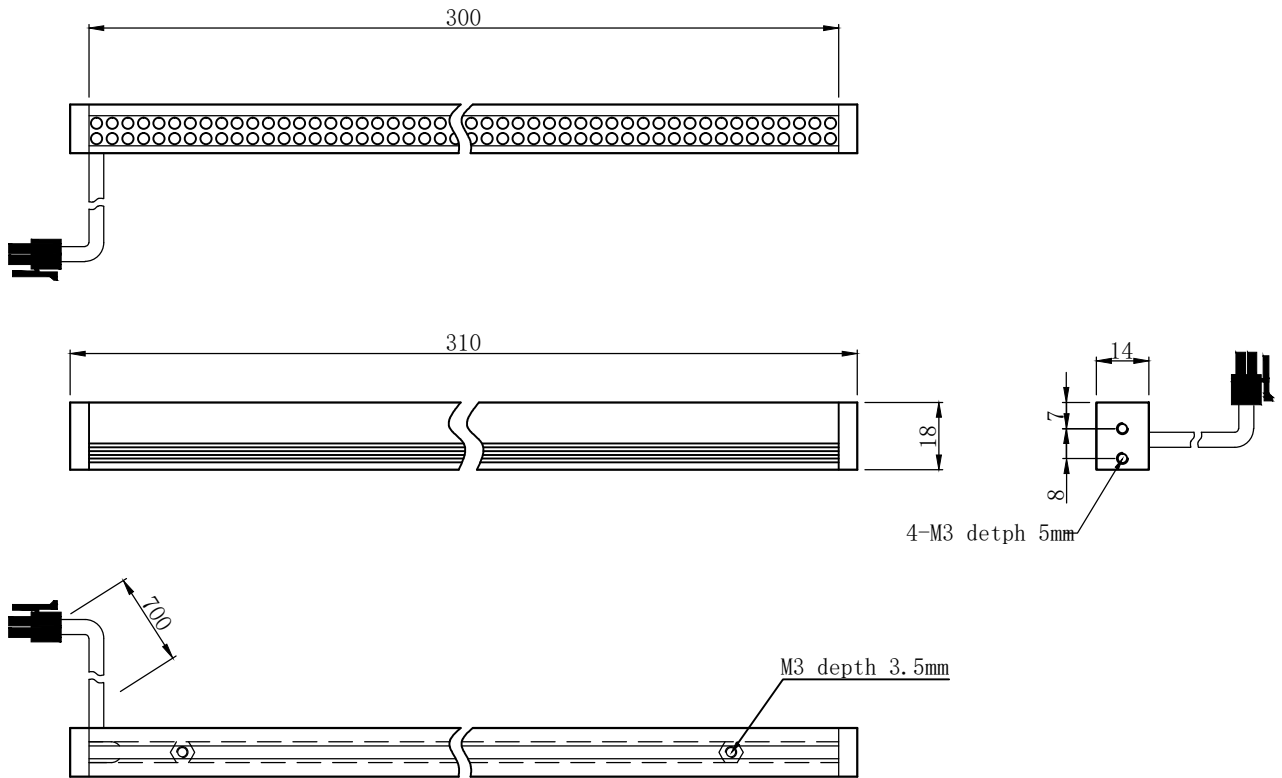


1 2 3 4 5 6 7

D  
C  
B  
A

D  
C  
B  
A



SPECIFICATIONS PARAMETER	
OPERATING VOLTAGE	DC24-26V
RATED CURRENT	IR, R/W, G, B 190/270mA
RATED POWER	IR, R/W, G, B 4.56/6.48W
PEAK CURRENT	IR, R/W, G, B 380/540mA
PEAK POWER	IR, R/W, G, B 9.12/12.96W
WAVELENGTH OF LIGHT	IR 850-940nm
	R 620-625nm
	G 520-530nm
	B 465-470nm
	W 6500-8000K



PART NAME	HL-LS-300		DATE	2016-1-18
	UNIT: mm	TITLE	DRAWING LAYOUT	CHKD. BY
				APPD. BY
			DWG. NO	

1 2 3 4 5 6 7