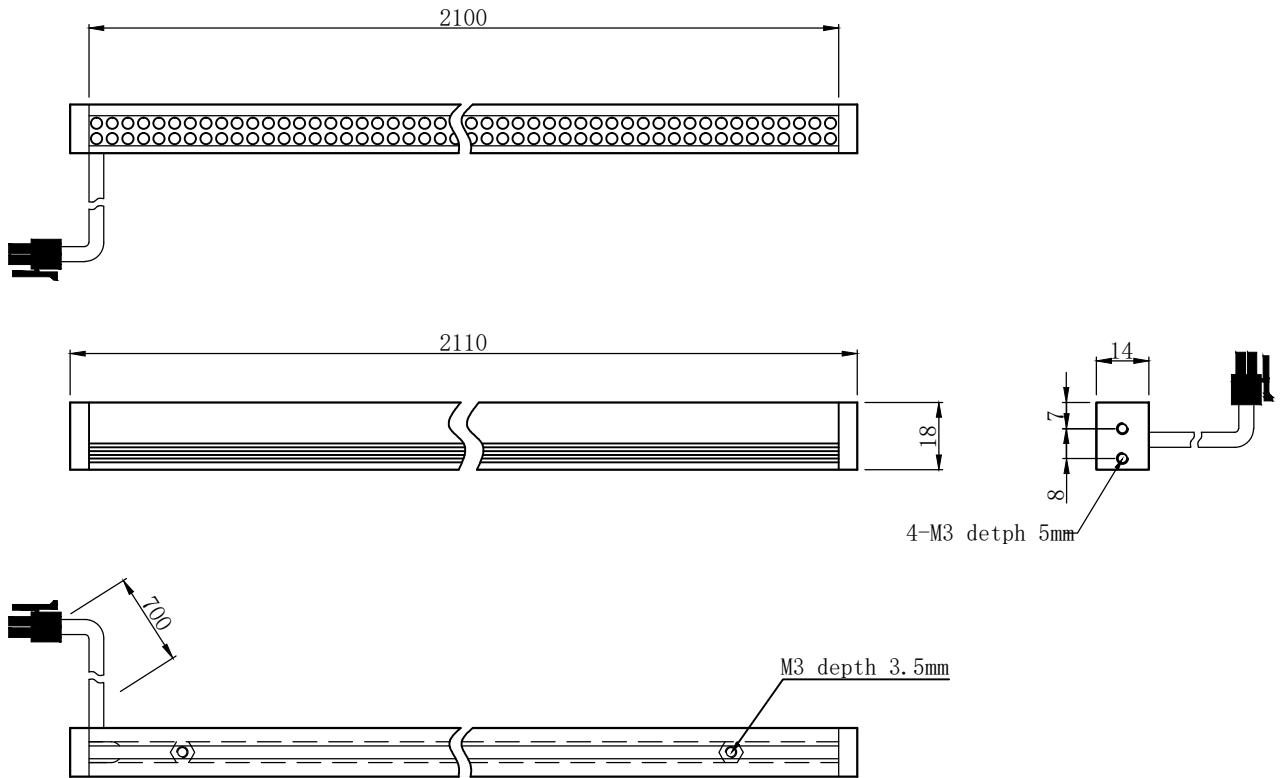


1 2 3 4 5 6 7

D  
C  
B  
A



SPECIFICATIONS PARAMETER	
OPERATING VOLTAGE	DC24-26V
RATED CURRENT	IR, R/W, G, B 1000/1500mA
RATED POWER	IR, R/W, G, B 24/36W
PEAK CURRENT	IR, R/W, G, B 2/3A
PEAK POWER	IR, R/W, G, B 48/72W
WAVELENGTH OF LIGHT	IR 850-940nm
	R 620-625nm
	G 520-530nm
	B 465-470nm
	W 6500-8000K



PART NAME	HL-LS-2100		DATE	2016-1-18
	UNIT: mm	TITLE	DRAWING LAYOUT	DWN. BY
APPD. BY			DWG. NO	

1 2 3 4 5 6 7