

1

2

3

4

5

6

7

D

D

C

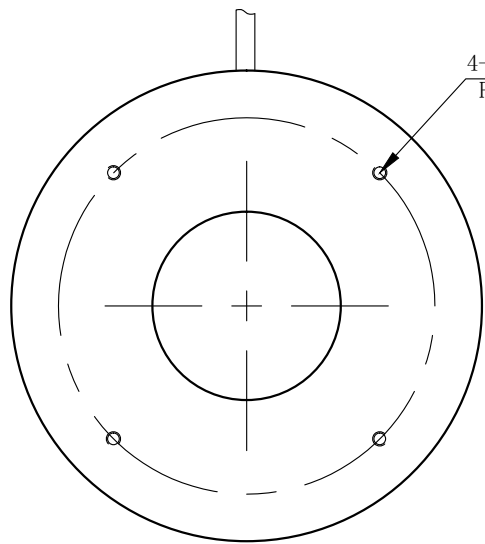
C

B

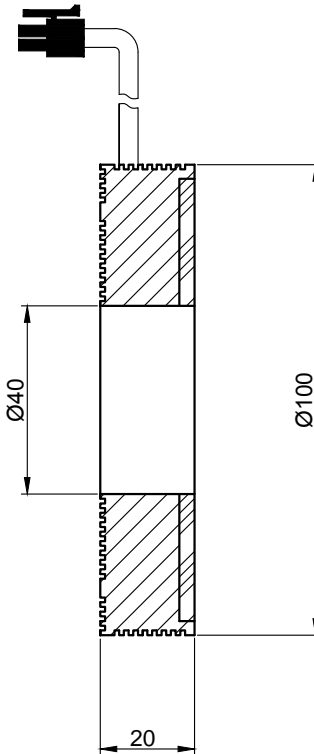
B

A

A



4-M3 depth 4
P.C.D 80



Ø40

Ø100

20

SPECIFICATIONS PARAMETER

| | |
|---------------------|--------------------------------|
| OPERATING VOLTAGE | DC24-26V |
| RATED CURRENT | IR, R / W, G, B 280/400mA |
| RATED POWER | IR, R / W, G, B 6.72/9.6W |
| PEAK CURRENT | IR, R / W, G, B 560/800mA |
| PEAK POWER | IR, R / W, G, B 13.44/19.2W |
| WAVELENGTH OF LIGHT | IR 850-940nm |
| | R 620-625nm |
| | G 520-530nm |
| | B 465-470nm |
| | W 6500-7000K |



| | | | |
|-----------|--------------|----------------|-----------|
| PART NAME | HL-RD0-100-5 | DATE | 2013-9-23 |
| UNIT: mm | TITLE | DRAWING LAYOUT | CHKD. BY |
| | | | APPD. BY |
| | | | DWG. NO |

1

2

3

4

5

6

7