

1

2

3

4

5

6

7

D

D

C

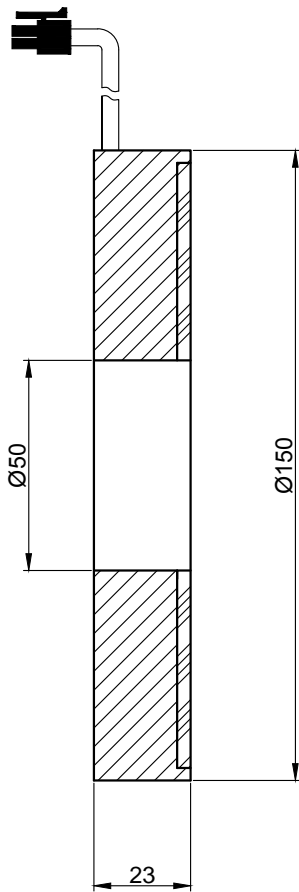
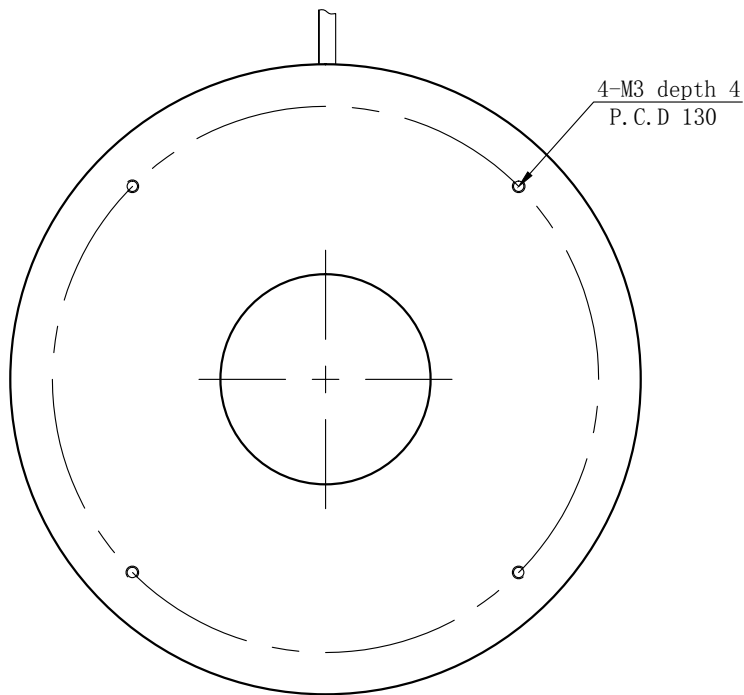
C

B

B

A

A



SPECIFICATIONS PARAMETER	
OPERATING VOLTAGE	DC24-26V
RATED CURRENT	IR, R / W, G, B 550/800mA
RATED POWER	IR, R / W, G, B 13.2/19.2W
PEAK CURRENT	IR, R / W, G, B 1100/1600mA
PEAK POWER	IR, R / W, G, B 26.4/38.4W
WAVELENGTH OF LIGHT	IR 850-940nm
	R 620-625nm
	G 520-530nm
	B 465-470nm
	W 6500-7000K



PART NAME	HL-RD0-150-8	DATE	2015-12-28
UNIT: mm	TITLE	DWN. BY	
	DRAWING LAYOUT	CHKD. BY	
		APPD. BY	
		DWG. NO	

1

2

3

4

5

6

7