

1

2

3

4

5

6

7

D

D

C

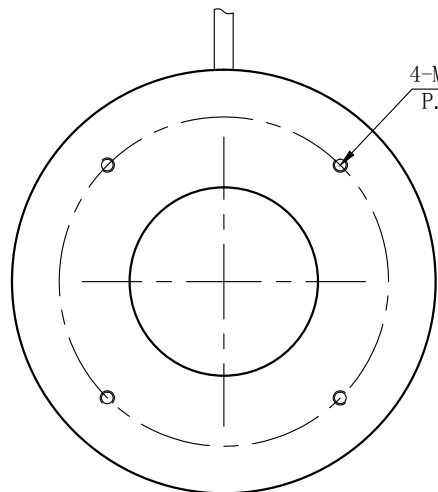
C

B

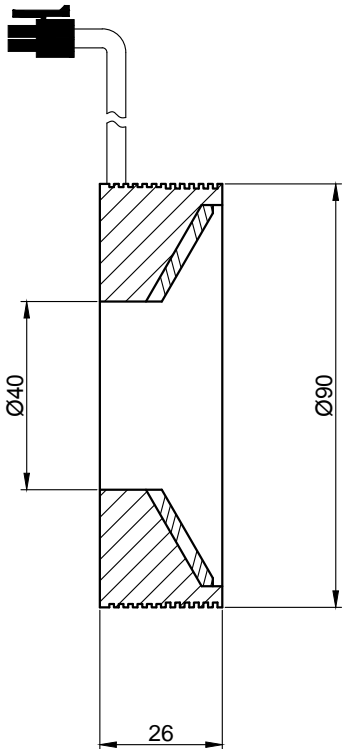
B

A

A



4-M3 depth 4  
P.C.D 70



Ø40

Ø60

26

210/300mA

5.04/7.2W

10.08/14.4W

SPECIFICATIONS PARAMETER	
OPERATING VOLTAGE	DC24-26V
RATED CURRENT	IR, R / W, G, B 220/280mA
RATED POWER	IR, R / W, G, B 5.3/6.7W
PEAK CURRENT	IR, R / W, G, B 390/500mA
PEAK POWER	IR, R / W, G, B 9.4/12W
WAVELENGTH OF LIGHT	IR 850-940nm
	R 620-625nm
	G 520-530nm
	B 465-470nm
	W 6500-7000K



PART NAME	HL-RD30-90-4	DATE	2015-02-6
UNIT: mm	TITLE	DRAWING LAYOUT	CHKD. BY
			APPD. BY
			DWG. NO

1

2

3

4

5

6

7