

1

2

3

4

5

6

7

D

D

C

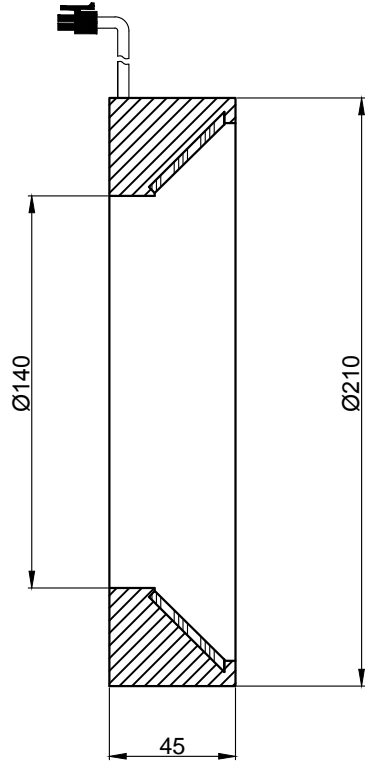
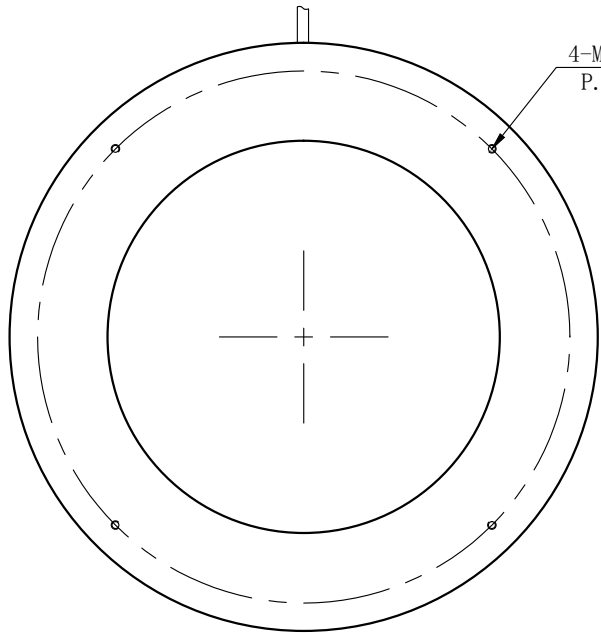
C

B

B

A

A



SPECIFICATIONS PARAMETER	
OPERATING VOLTAGE	DC24-26V
RATED CURRENT	IR, R / W, G, B 900/1200mA
RATED POWER	IR, R / W, G, B 21.6/28.8W
PEAK CURRENT	IR, R / W, G, B 1800/2400mA
PEAK POWER	IR, R / W, G, B 43.2/57.6W
WAVELENGTH OF LIGHT	IR 850-940nm
	R 620-625nm
	G 520-530nm
	B 465-470nm
	W 6500-7000K



PART NAME	HL-RD45-210-6	DATE	2013-9-23
UNIT: mm	TITLE	DRAWING LAYOUT	CHKD. BY
			APPD. BY
			DWG. NO

1

2

3

4

5

6

7