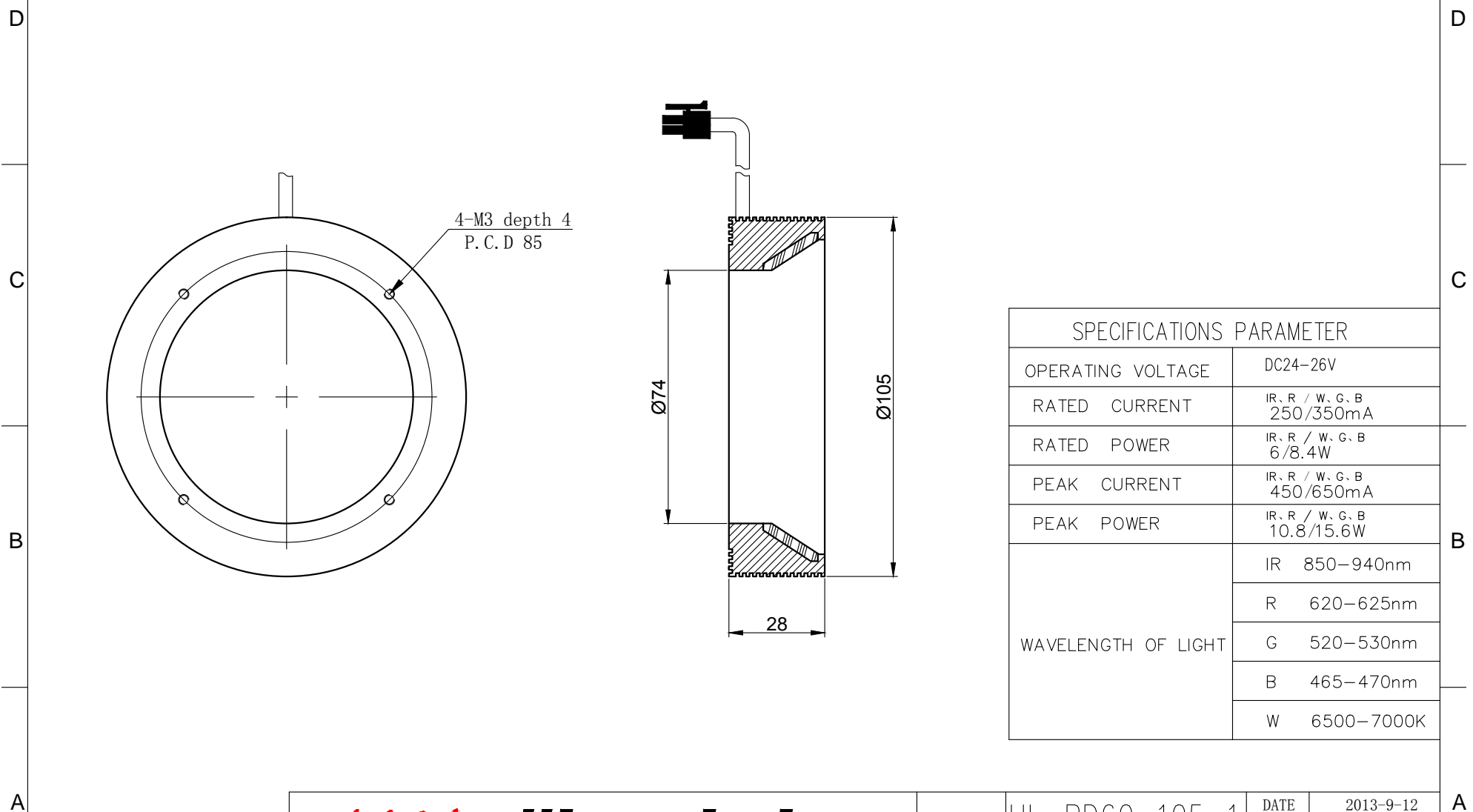


1 2 3 4 5 6 7



SPECIFICATIONS PARAMETER	
OPERATING VOLTAGE	DC24-26V
RATED CURRENT	IR, R / W, G, B 250/350mA
RATED POWER	IR, R / W, G, B 6/8.4W
PEAK CURRENT	IR, R / W, G, B 450/650mA
PEAK POWER	IR, R / W, G, B 10.8/15.6W
WAVELENGTH OF LIGHT	IR 850-940nm
	R 620-625nm
	G 520-530nm
	B 465-470nm
	W 6500-7000K



PART NAME	HL-RD60-105-1	DATE	2013-9-12
UNIT: mm	TITLE	DRAWING LAYOUT	CHKD. BY
			APPD. BY
			DWG. NO

1 2 3 4 5 6 7