

1

2

3

4

5

6

7

D

D

C

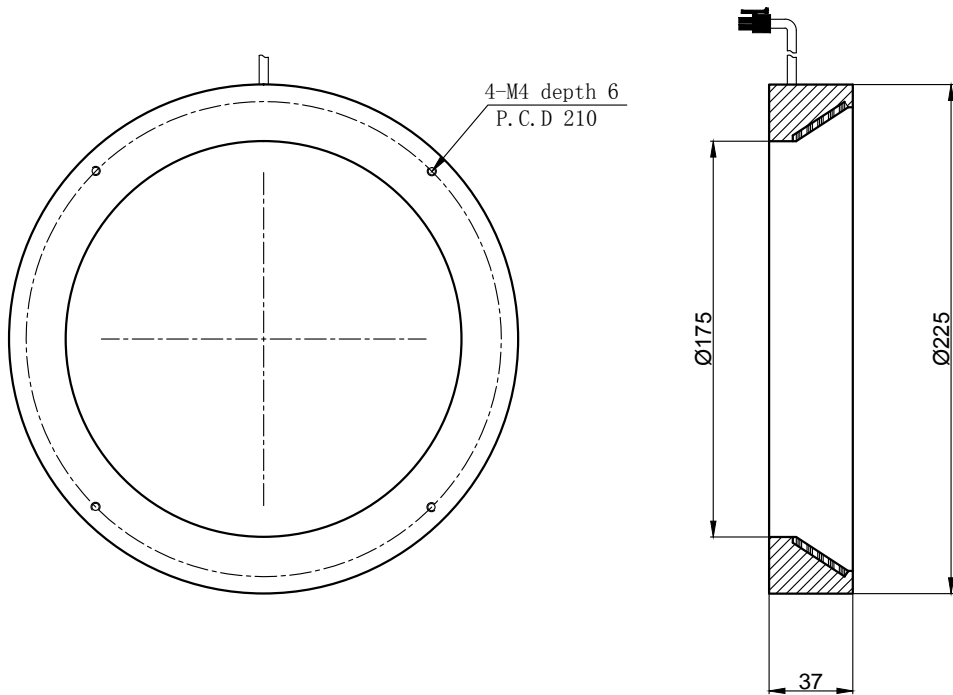
C

B

B

A

A



SPECIFICATIONS PARAMETER	
OPERATING VOLTAGE	DC24-26V
RATED CURRENT	R/ W. G. B 1.8/2.4A
RATED POWER	R/ W. G. B 43.2/57.6W
PEAK CURRENT	R/ W. G. B 3.6/4.8A
PEAK POWER	R/ W. G. B 86.4/115.2W
WAVELENGTH OF LIGHT	IR 850-940nm
	R 620-625nm
	G 520-530nm
	B 465-470nm
	W 6500-7000K



PART NAME	HL-RD60-225-1	DATE	2014-3-24
UNIT: mm	TITLE	DWN. BY	
	DRAWING LAYOUT	CHKD. BY	
		APPD. BY	
		DWG. NO	

1

2

3

4

5

6

7