

1

2

3

4

5

6

7

D

D

C

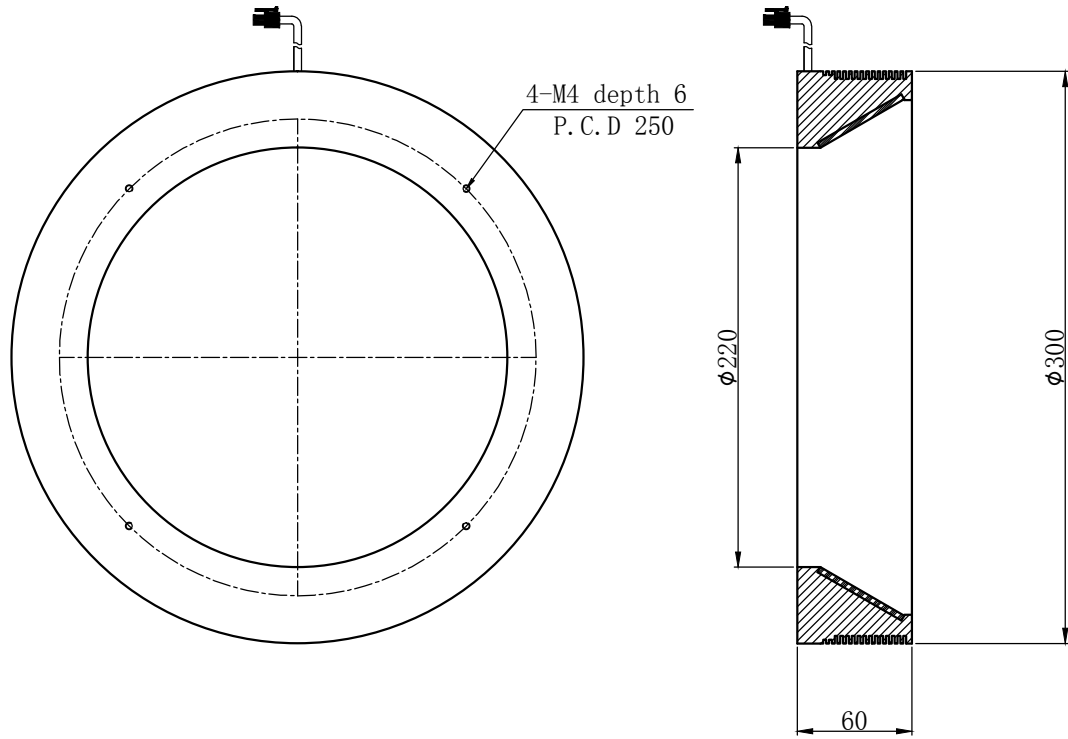
C

B

B

A

A



SPECIFICATIONS PARAMETER	
OPERATING VOLTAGE	DC24-26V
RATED CURRENT	IR, R, Y/ W, G, B, V 1.6/2A
RATED POWER	IR, R, Y/ W, G, B, V 38.4/48W
PEAK CURRENT	IR, R, Y/ W, G, B, V 3.2/4A
PEAK POWER	IR, R, Y/ W, G, B, V 76.8/96W
WAVELENGTH OF LIGHT	IR 850 nm
	R 620-625nm
	Y 585-590nm
	G 520-530nm
	B 465-470nm
	V 365-400nm
	W 6500-7000K

	PART NAME		HL-RD60-300-1		DATE	2016-1-30	
	UNIT: mm		TITLE	DRAWING LAYOUT		DWN. BY	
						CHKD. BY	
						APPD. BY	
						DWG. NO	

1

2

3

4

5

6

7