

1

2

3

4

5

6

7

D

D

C

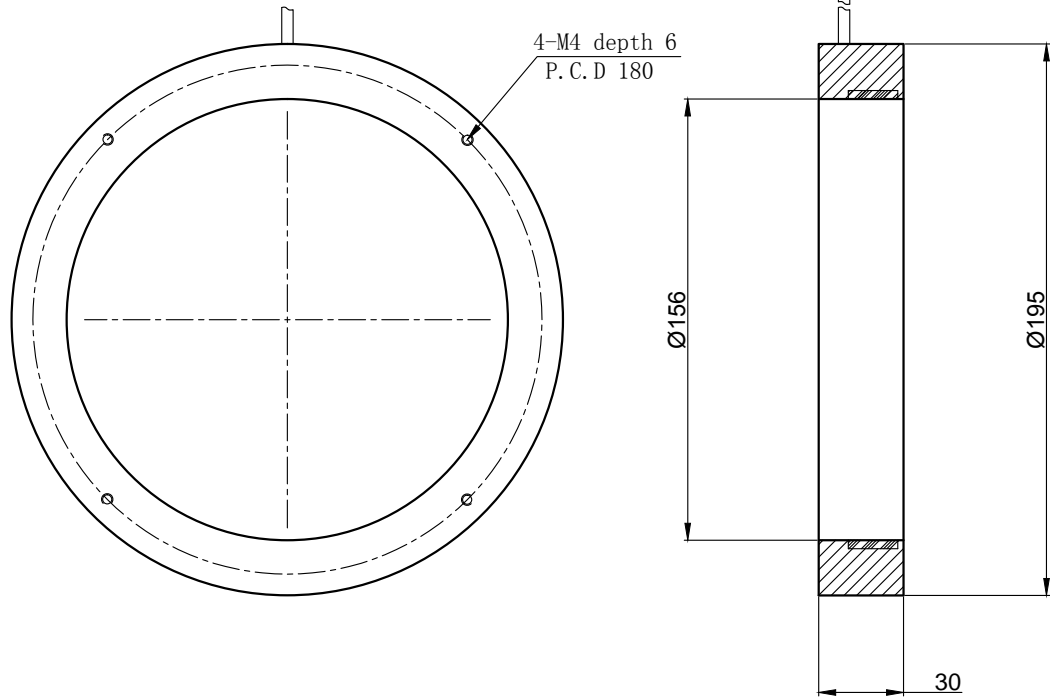
C

B

B

A

A



SPECIFICATIONS PARAMETER	
OPERATING VOLTAGE	DC24-26V
RATED CURRENT	R / W, G, B 1.2/1.5A
RATED POWER	R / W, G, B 28.8/36W
PEAK CURRENT	R / W, G, B 2.4/3A
PEAK POWER	R / W, G, B 57.6/72W
WAVELENGTH OF LIGHT	R 620-625nm
	G 520-530nm
	B 465-470nm
	W 6500-7000K



PART NAME	HL-RD90-195-4		DATE	2014-3-24
			DWN. BY	
UNIT: mm	TITLE	DRAWING LAYOUT		CHKD. BY
				APPD. BY
				DWG. NO

1

2

3

4

5

6

7