

1 2 3 4 5 6 7

D

D

C

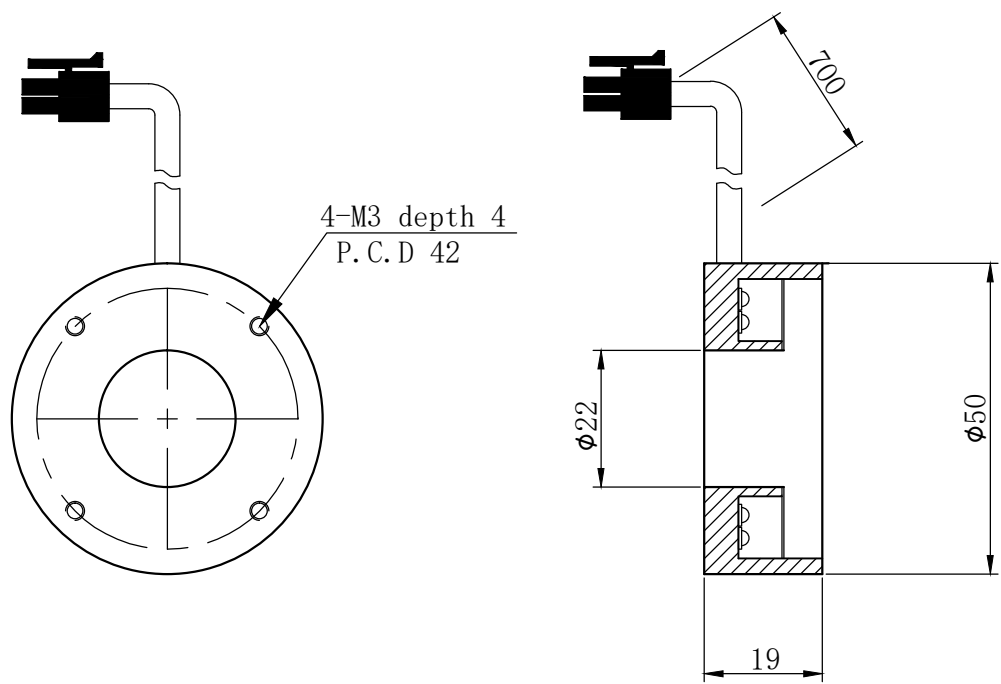
C

B

B

A

A



SPECIFICATIONS PARAMETER	
OPERATING VOLTAGE	DC24V
RATED CURRENT	
RATED POWER	
PEAK CURRENT	4A
PEAK POWER	96W
WAVELENGTH OF LIGHT	R 620-625nm



PART NAME	HL-RH0-50-2T-R	DATE	2016-1-20
UNIT: mm	TITLE	DRAWING LAYOUT	DWN. BY
			CHKD. BY
			APPD. BY
			DWG. NO

1 2 3 4 5 6 7