

1

2

3

4

5

6

7

D

D

C

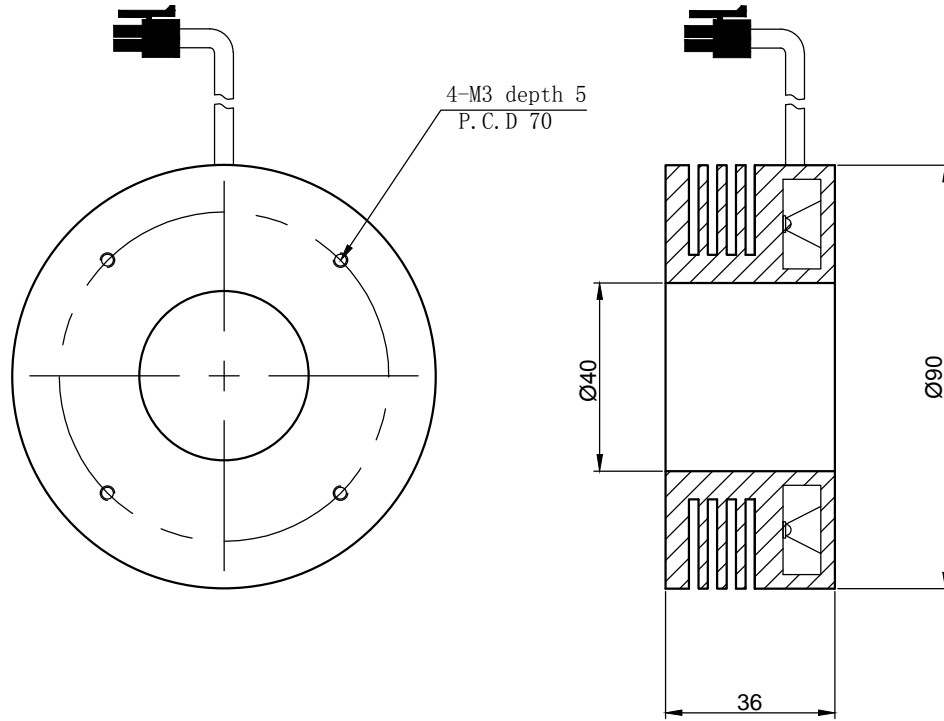
C

B

B

A

A



SPECIFICATIONS PARAMETER	
OPERATING VOLTAGE	DC24-26V
RATED CURRENT	R, W, G, B 350mA
RATED POWER	R, W, G, B 8.4W
PEAK CURRENT	R, W, G, B 700mA
PEAK POWER	R, W, G, B 16.8W
WAVELENGTH OF LIGHT	R 620-625nm
	G 520-530nm
	B 465-470nm
	W 6500-8000K



PART NAME	HL-RH0-90-1	DATE	2013-9-11
		DWN. BY	
UNIT: mm	TITLE	DRAWING LAYOUT	CHKD. BY
			APPD. BY
			DWG. NO

1

2

3

4

5

6

7