

1 2 3 4 5 6 7

D

D

C

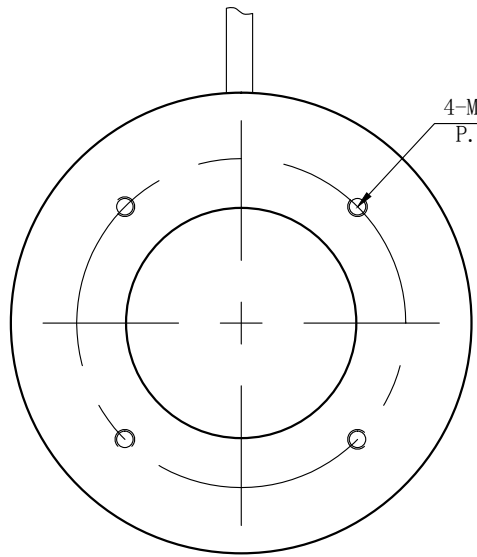
C

B

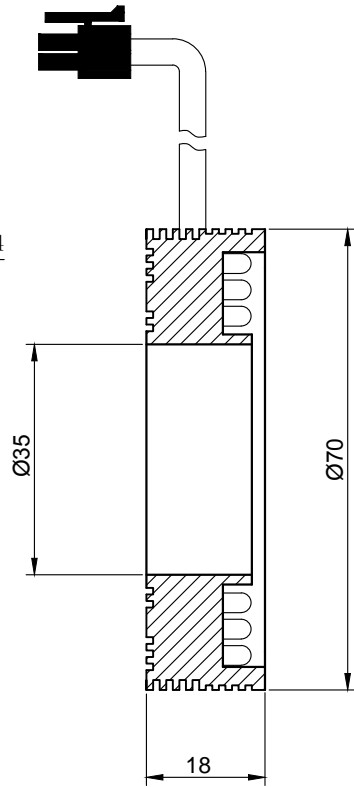
B

A

A



4-M3 depth 4
P.C.D 50



SPECIFICATIONS PARAMETER	
OPERATING VOLTAGE	DC24-26V
RATED CURRENT	IR, R / W, G, B 150/225mA
RATED POWER	IR, R / W, G, B 3.6/5.4W
PEAK CURRENT	IR, R / W, G, B 300/450mA
PEAK POWER	IR, R / W, G, B 7.2/10.8W
WAVELENGTH OF LIGHT	IR 850-940nm
	R 620-625nm
	G 520-530nm
	B 465-470nm



PART NAME	HL-R0-70-3		DATE	2013-9-11
UNIT: mm	TITLE	DRAWING LAYOUT	DWN. BY	
			CHKD. BY	
			APPD. BY	
			DWG. NO	

1 2 3 4 5 6 7