

1

2

3

4

5

6

7

D

D

C

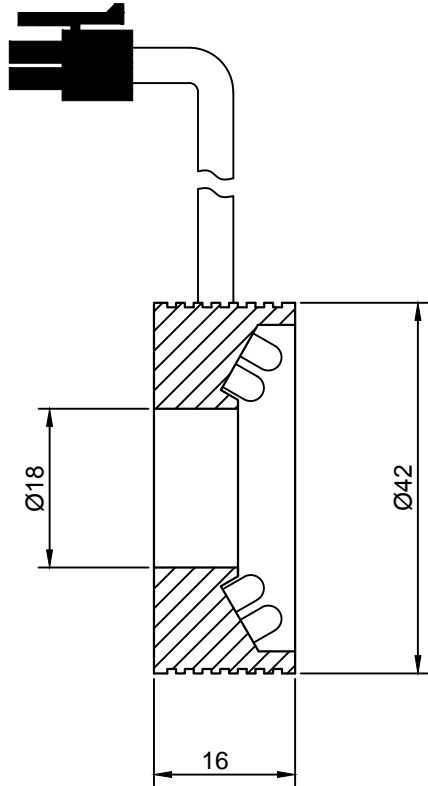
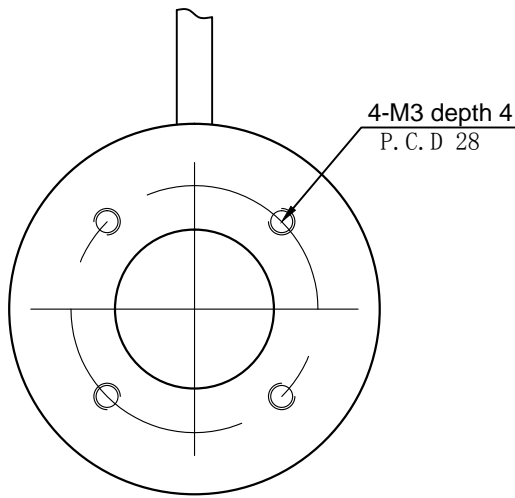
C

B

B

A

A



SPECIFICATIONS PARAMETER	
OPERATING VOLTAGE	DC24-26V
RATED CURRENT	IR / W. G. B 60/90mA
RATED POWER	IR / W. G. B 1.44/2.16W
PEAK CURRENT	IR / W. G. B 120/180mA
PEAK POWER	IR / W. G. B 2.88/4.32W
WAVELENGTH OF LIGHT	IR 850-940nm
	R 620-625nm
	G 520-530nm
	B 465-470nm
	W 6500-7000K



PART NAME	HL-R30-42-2		DATE	2013-6-8
UNIT: mm	TITLE	DRAWING LAYOUT	DWN. BY	
			CHKD. BY	
			APPD. BY	
			DWG. NO	

1

2

3

4

5

6

7