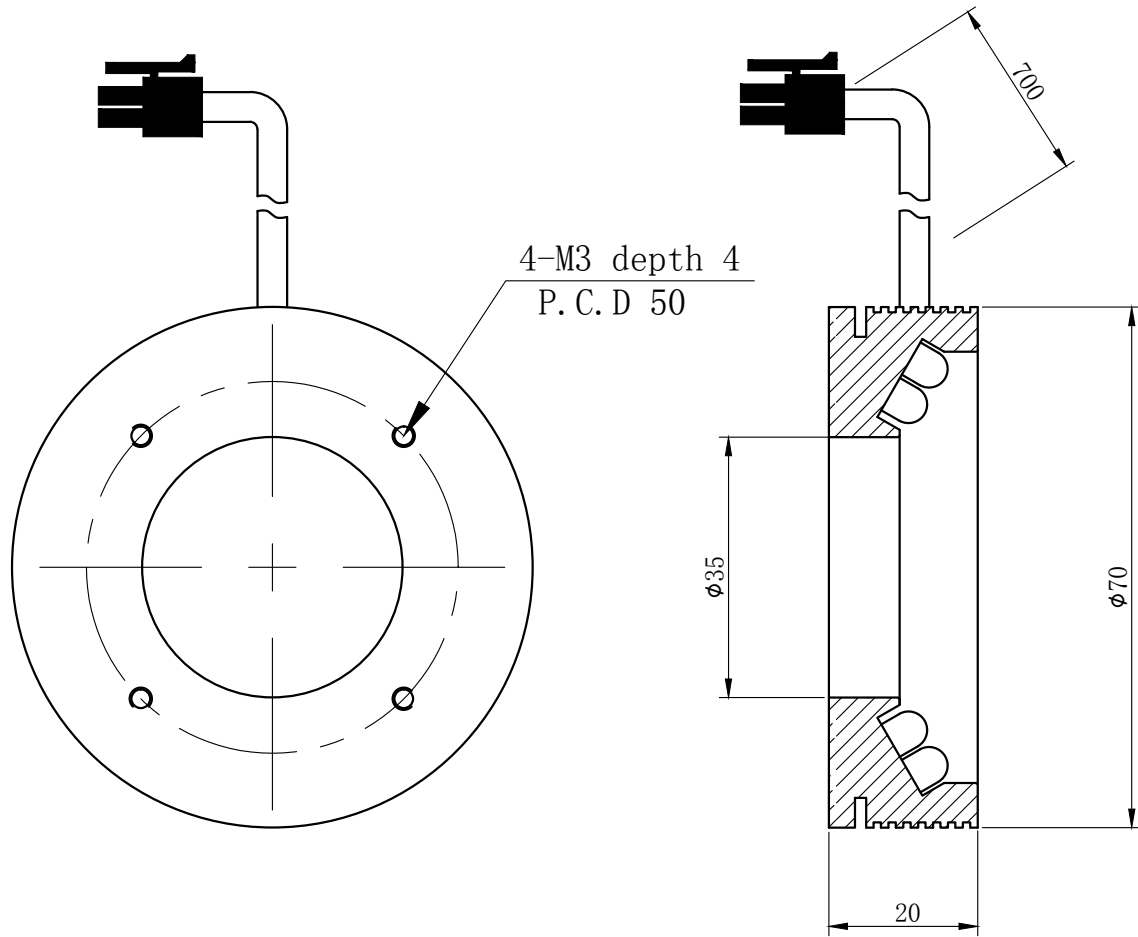


1 2 3 4 5 6 7

D

D



4-M3 depth 4
P. C. D 50

700

φ35

φ70

20

C

C

B

B

A

A

SPECIFICATIONS PARAMETER	
OPERATING VOLTAGE	DC24+26V
RATED CURRENT	120mA
RATED POWER	2.88W
PEAK CURRENT	240mA
PEAK POWER	5.7W
WAVELENGTH OF LIGHT	
	V 365-400nm



PART NAME	HL-R30-70-2-UV	DATE	2012-11-27
UNIT: mm	TITLE	DWN. BY	
	DRAWING LAYOUT	CHKD. BY	
		APPD. BY	
		DWG. NO	

1 2 3 4 5 6 7