

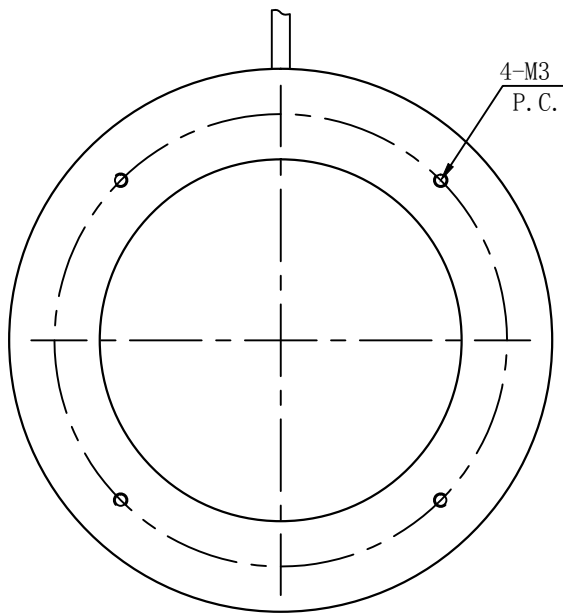
1 2 3 4 5 6 7

D D

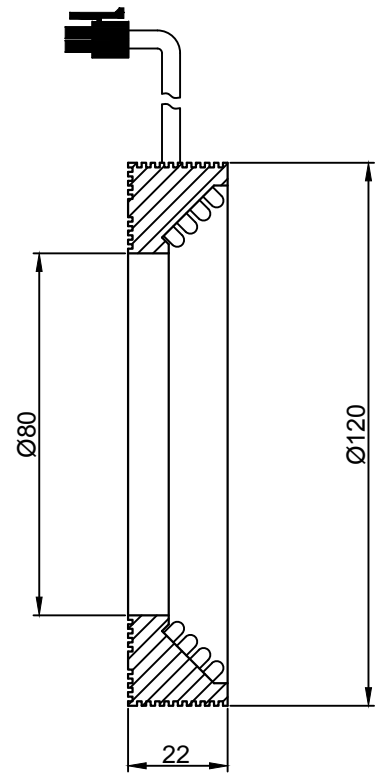
C C

B B

A A



4-M3 depth 4
P.C.D 100



SPECIFICATIONS PARAMETER	
OPERATING VOLTAGE	DC24-26V
RATED CURRENT	IR / R / W. G. B 330/500mA
RATED POWER	IR / R / W. G. B 7.92/12W
PEAK CURRENT	IR / R / W. G. B 660/1000mA
PEAK POWER	IR / R / W. G. B 15.84/24W
WAVELENGTH OF LIGHT	IR 850-940nm
	R 620-625nm
	G 520-530nm
	B 465-470nm
	W 6500-7000K



PART NAME	HL-R45-120-4		DATE	2012-11-27
UNIT: mm	TITLE	DRAWING LAYOUT	DWN. BY	
			CHKD. BY	
			APPD. BY	
			DWG. NO	

1 2 3 4 5 6 7