

1

2

3

4

5

6

7

D

D

C

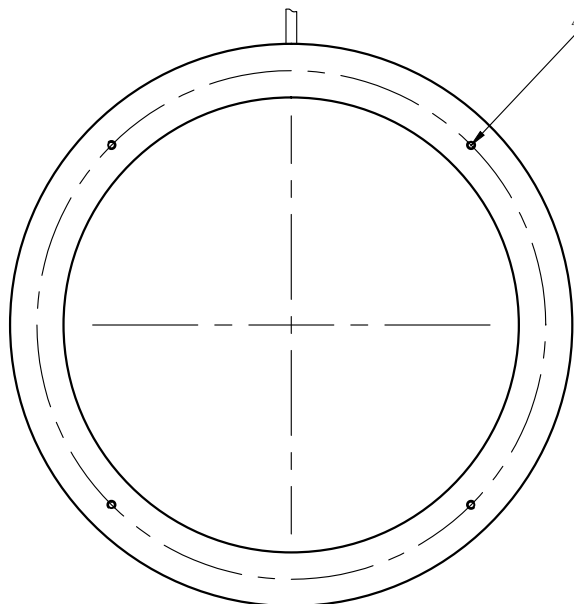
C

B

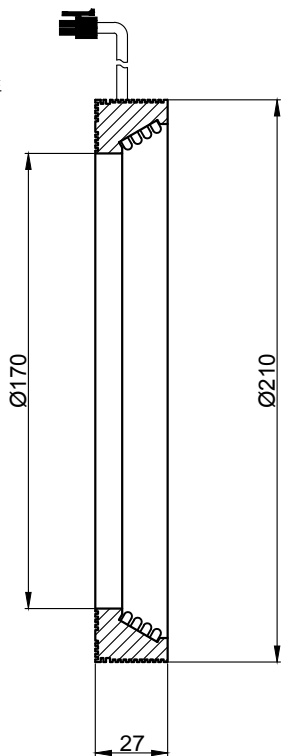
B

A

A



4-M3 depth 4  
P.C.D 190



Ø170

Ø210

27

SPECIFICATIONS PARAMETER	
OPERATING VOLTAGE	DC24-26V
RATED CURRENT	IR、R / W、G、B 650/900mA
RATED POWER	IR、R / W、G、B 15.6/21.6W
PEAK CURRENT	IR、R / W、G、B 1300/1800mA
PEAK POWER	IR、R / W、G、B 31.2/43.2W
WAVELENGTH OF LIGHT	IR 850-940nm
	R 620-625nm
	G 520-530nm
	B 465-470nm
	W 6500-7000K



PART NAME	HL-R60-210-4		DATE	2012-11-27
UNIT: mm	TITLE	DRAWING LAYOUT	DWN. BY	
			CHKD. BY	
			APPD. BY	
			DWG. NO	

1

2

3

4

5

6

7