

1

2

3

4

5

6

7

D

D

C

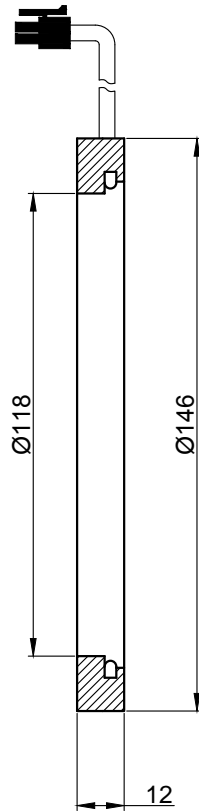
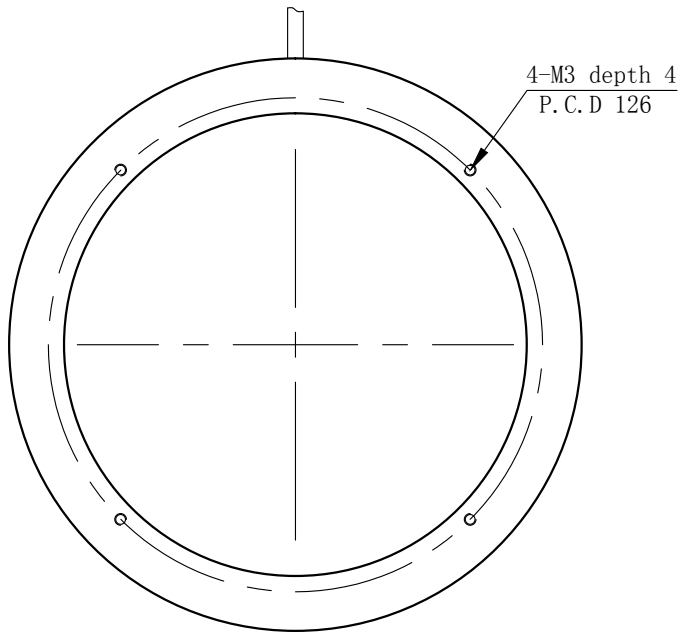
C

B

B

A

A



SPECIFICATIONS PARAMETER	
OPERATING VOLTAGE	DC24-26V
RATED CURRENT	IR, R / W, G, B 120/180mA
RATED POWER	IR, R / W, G, B 2.88/4.32W
PEAK CURRENT	IR, R / W, G, B 240/360mA
PEAK POWER	IR, R / W, G, B 5.76/8.64W
WAVELENGTH OF LIGHT	IR 940nm
	R 620-625nm
	G 520-530nm
	B 465-470nm
	W 6500-7000K



PART NAME	HL-R90-146-1		DATE	2013-6-8
UNIT: mm	TITLE	DRAWING LAYOUT	DWN. BY	
			CHKD. BY	
			APPD. BY	
			DWG. NO	

1

2

3

4

5

6

7