

1

2

3

4

5

6

7

D

D

C

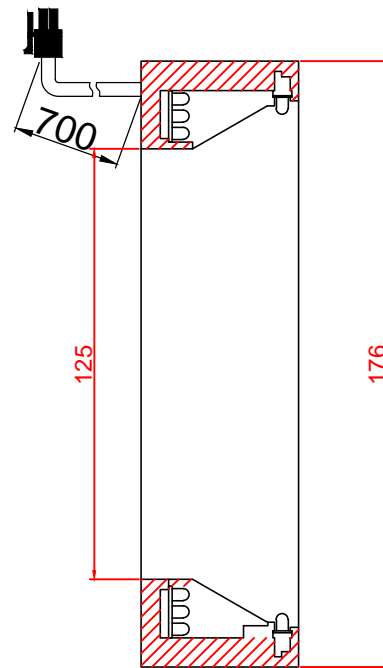
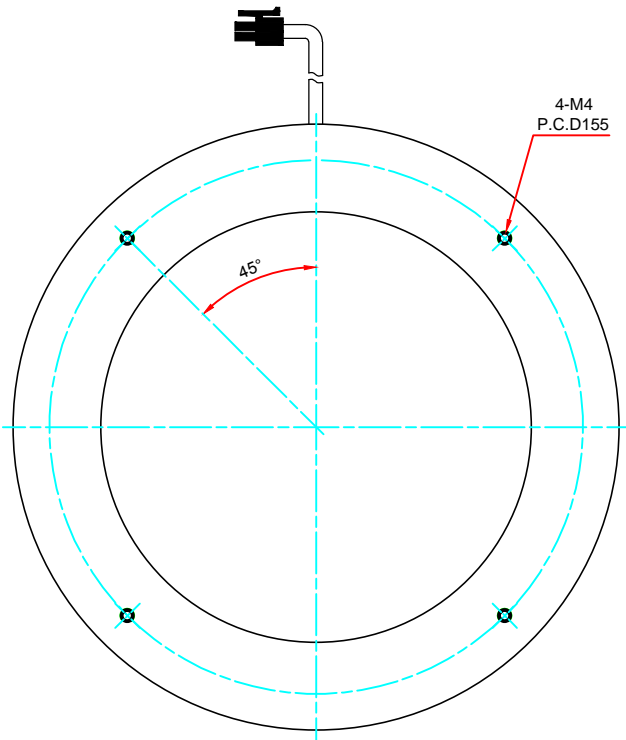
C

B

B

A

A



PART NAME	HL-R0-176+R90-176		DATE	2018-9-13
			DWN. BY	
UNIT: mm	TITLE	DRAWING LAYOUT		CHKD. BY
				APPD. BY
				DWG. NO

1

2

3

4

5

6

7