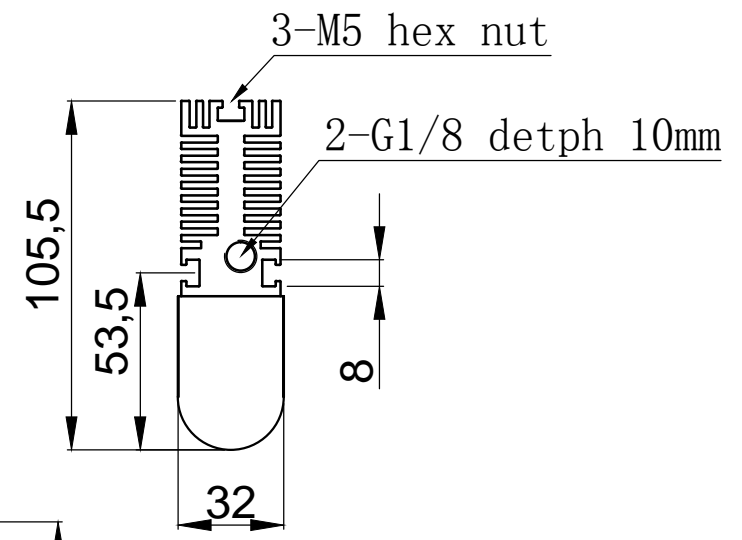
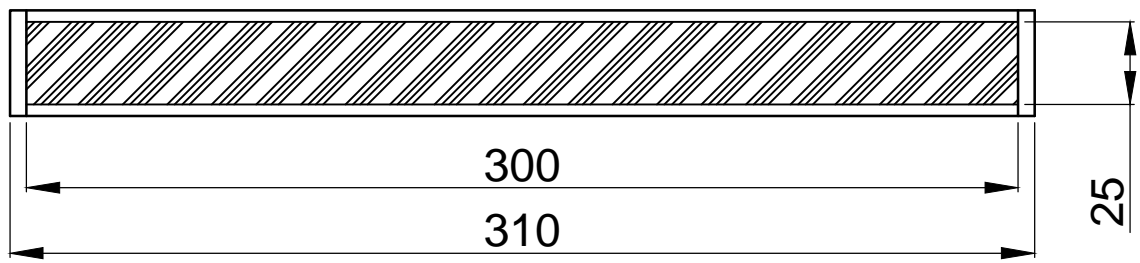
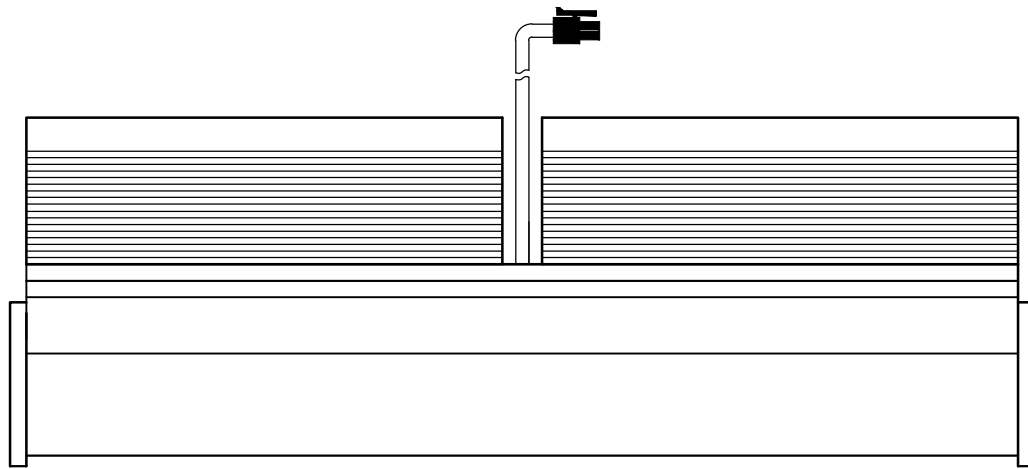


1 2 3 4 5 6 7

D

D



C

C

B

B

SPECIFICATIONS PARAMETER

OPERATING VOLTAGE	DC24-26V
RATED CURRENT	1.8A
RATED POWER	43.2W
PEAK CURRENT	3.6A
PEAK POWER	86.4W
WAVELENGTH OF LIGHT	V 365-400nm

A

A



PART NAME	HL-HL25-300-UV	DATE	2013-3-27
UNIT: mm	TITLE	DWN. BY	
	DRAWING LAYOUT	CHKD. BY	
		APPD. BY	
		DWG. NO	

1 2 3 4 5 6 7