

1

2

3

4

5

6

7

D

D

C

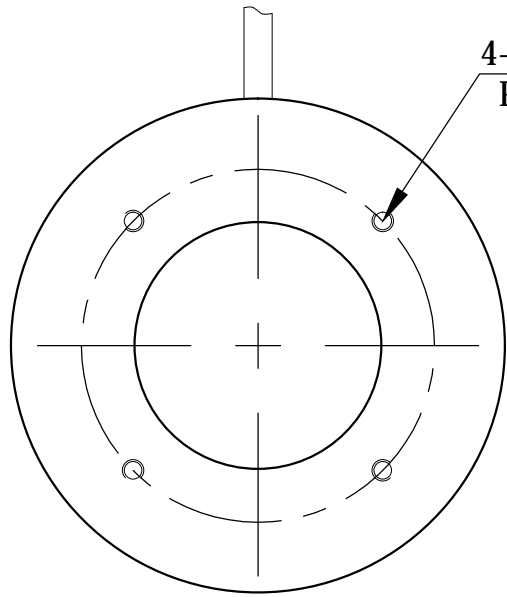
C

B

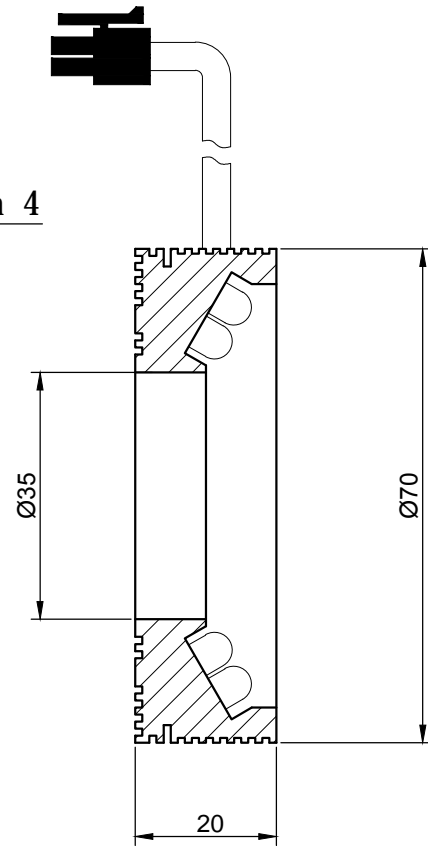
B

A

A



4-M8 depth 4
P.C. D 50



SPECIFICATIONS PARAMETER	
OPERATING VOLTAGE	DC24-26V
RATED CURRENT	120mA
RATED POWER	2.88W
PEAK CURRENT	240mA
PEAK POWER	5.7W
WAVELENGTH OF LIGHT	V 375nm



PART NAME	HL-R30-70-2-UV		DATE	2014-11-27
UNIT: mm	TITLE	DRAWING LAYOUT	DWN. BY	
			CHKD. BY	
			APPD. BY	
			DWG. NO	

1

2

3

4

5

6

7