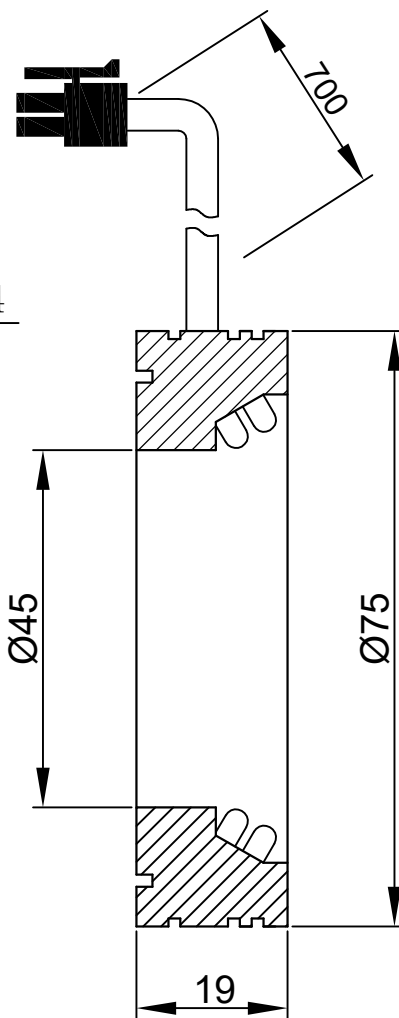


4-M3 depth 4
P.C.D 60



SPECIFICATIONS PARAMETER	
OPERATING VOLTAGE	DC24-26V
RATED CURRENT	IR, R/W, G, B, V 110/150mA
RATED POWER	IR, R/W, G, B, V 2.7/3.6W
PEAK CURRENT	IR, R/W, G, B, V 200/270mA
PEAK POWER	IR, R/W, G, B, V 4.8/6.6W
WAVELENGTH OF LIGHT	IR 940nm、830 nm
	R 620-625nm
	G 520-530nm
	B 465-470nm
	V 365-400nm
	W 6500-7000K



PART NAME	HL-R60-75-2-B-F		DATE	2012-11-27
			DWN. BY	
UNIT: mm	TITLE	DRAWING LAYOUT		CHKD. BY
			APPD. BY	
			DWG. NO	