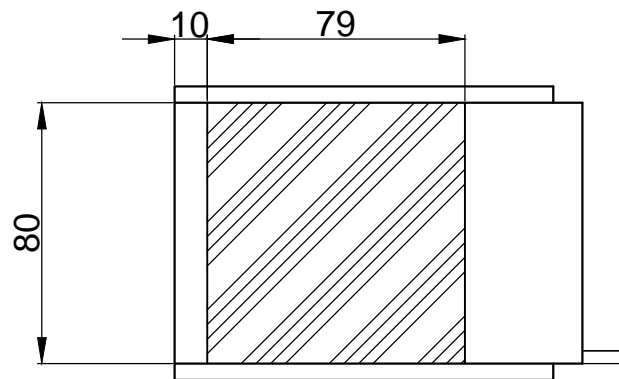
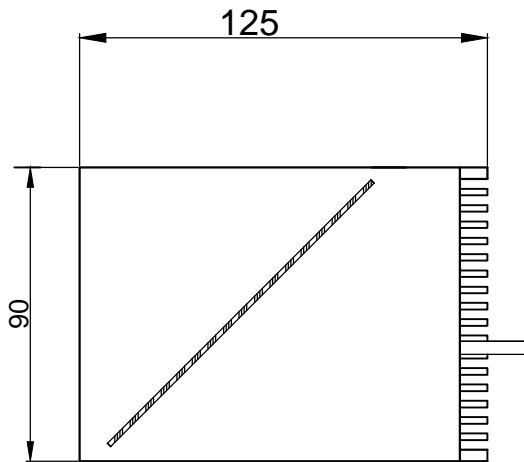
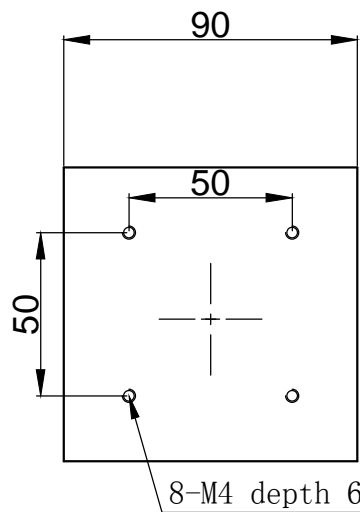


1 2 3 4 5 6 7

D

D



C

C

B

B

A

A

SPECIFICATIONS PARAMETER	
OPERATING VOLTAGE	DC24-26V
RATED CURRENT	IR, R / W, G, B, V 500/700mA
RATED POWER	IR, R / W, G, B, V 12/16.8W
PEAK CURRENT	IR, R / W, G, B, V 1000/1260mA
PEAK POWER	IR, R / W, G, B, V 24/30.2W
WAVELENGTH OF LIGHT	IR 850 nm
	R 620-625nm
	G 520-530nm
	B 465-470nm
	V 365-400nm
	W 6500-7000K



PART NAME	HL-CL-80	DATE	2013-10-10
UNIT: mm	TITLE	DWN. BY	
	DRAWING LAYOUT	CHKD. BY	
		APPD. BY	
		DWG. NO	

1 2 3 4 5 6 7