

1

2

3

4

5

6

7

D

D

C

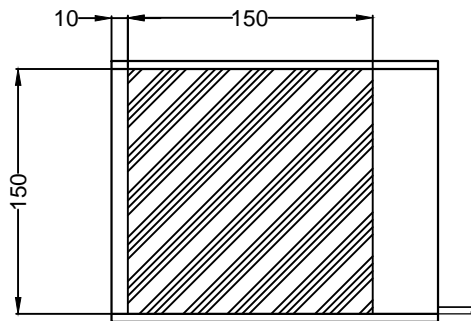
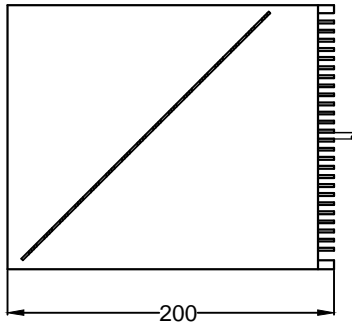
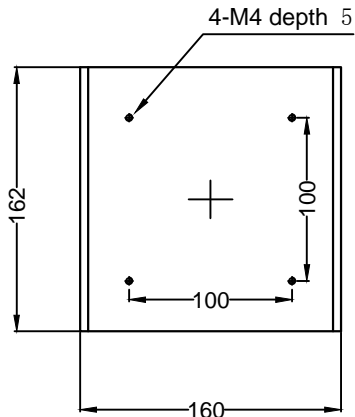
C

B

B

A

A



SPECIFICATIONS PARAMETER	
OPERATING VOLTAGE	DC24-26V
RATED CURRENT	IR, R / W, G, B, V 1.2/1.5A
RATED POWER	IR, R / W, G, B, V 28.8/36W
PEAK CURRENT	IR, R / W, G, B, V 2400/2000mA
PEAK POWER	IR, R / W, G, B, V 57.6/72W
WAVELENGTH OF LIGHT	IR 850 nm
	R 620-625nm
	G 520-530nm
	B 465-470nm
	V 365-400nm
	W 6500-7000K



PART NAME	HL-CL-150-150	DATE	2013-11-21
UNIT: mm	TITLE	DWN. BY	
	DRAWING LAYOUT	CHKD. BY	
		APPD. BY	
		DWG. NO	

1

2

3

4

5

6

7